

ACOM

OUTSTANDING HF POWER PRODUCTS

ACOM 1000

HF + 6m

Linear Amplifier

User's Manual

Installation, Operation
and Maintenance



August 2020

This manual is for electronic distribution mainly.
If you have it on paper and you no longer need it, please, recycle it!

The latest versions of our User's Manuals are available at
www.acom-bg.com

ABOUT DOCUMENTATION

All ACOM documentation (including manuals, brochures, specifications, descriptions, presentations, video materials, etc.) are based on the latest available information at the time of creation of our documents.

As we always strive to constantly improve and update our products, ALL PRODUCTS, PRODUCT SPECIFICATIONS AND DATA ARE SUBJECT TO CHANGE. ACOM reserves the right to make changes and improvements at any time without further notice or obligation to notify any person or organization of such revisions or changes, made in order to improve the reliability, function, quality and design, and/or performance of the ACOM products and services.

Further, this User's Manual is provided AS IS and ACOM shall not be liable for possible errors contained herein.

This manual supersedes all previous editions, which thereby become invalid.
The cover images used in the manual are illustrative only.

We are continuously striving to improve our documentation, but nobody is perfect.
And our documentation is not an exception of this rule.
Have you found any errors or would you like to suggest changes in our documentation?
Please help us by sending your suggestions to the following e-mail address:
documentation@acom-bg.com

The latest versions of our User's Manuals are available at
www.acom-bg.com

We highly recommend you to use this manual in electronic form as PDF-file instead of printed version. The PDF-file is easy to read on any computer, tablet, smart phone or other similar device. In the PDF file you will find the necessary information very fast due to context-oriented links (marked in *orange*) inside the file, including context-linked Table of Content.

To open PDF-files you can use any free PDF viewer, for example:

- Adobe Acrobat Reader DC (<https://get.adobe.com/reader>);
- Foxit Reader (<https://www.foxitsoftware.com/pdf-reader>);
- Your web browser. Web browsers like Google Chrome, Firefox and Safari all have integrated PDF readers.

Title of Documentation ACOM 1000 HF + 6m Linear Amplifier
User's Manual
Installation, Operation and Maintenance

Type of Documentation User's Manual

Purpose of Documentation This manual explains Installation, Operation and Maintenance of the ACOM 1000 HF + 6m Linear Amplifier.

Record of Revisions	Description	Release Date	Notes
	ACOM 1000 User's Manual	11.08.1998	First edition
	ACOM 1000 User's Manual	16.10.2007	Second edition
	ACOM 1000 User's Manual	18.05.2017	Third edition
	ACOM 1000 User's Manual	28.08.2020	Fourth edition

Validity The specified data is for product description purposes only and may not be deemed to be guaranteed unless expressly confirmed in the contract. All rights are reserved with respect to the content of this manual and the availability of the product.

Copyrights © 2020 ACOM Ltd.
Copying this document, giving it to others and the use or communication of the contents thereof without express authority, are forbidden.
Offenders will be held liable for infringement of any intellectual property of ACOM Ltd. and all damages which may rise as a result.

Published by ACOM Ltd.
Bulgaria | Bozhurishte 2227
Sofia-Bozhurishte Economic Zone | 6 Valeri Petrov Str.
GPS coordinates: 42.748616° | 23.209801°
Web: www.acom-bg.com
E-mail: documentation@acom-bg.com

Note This manual has been printed on chlorine-free bleached paper.

Contents

ABOUT DOCUMENTATION.....	3
1. GENERAL INFORMATION	7
1.1. Introduction and Description	7
1.2. Owner Assistance	7
1.3. Equipment Supplied	7
1.4. Features.....	8
1.5. Safety Considerations, Explicit Definitions.....	9
2. INSTALLATION.....	11
2.1. Unpacking and Initial Inspection	11
2.2. Line Voltage Selection	11
2.3. Amplifier Location Selection.....	12
2.4. Connections.....	12
2.5. Installation of External Fan.....	15
3. POWER ON, CONTROLS AND INDICATORS	16
4. OPERATION	18
4.1. Turning ON and OFF	18
4.2. Changing Operate and Standby Modes.....	19
4.3. Tuning.....	19
4.4. ON LINE Information Screens and Control Functions	23
4.5. Auto-Protection System	24
5. OFF LINE OPERATION.....	25
5.1. Contrast and Backlighting control	25
5.2. Auto-Operate enabling and disabling.....	25
5.3. Reading Auto-protection Signatures	26
6. MAINTENANCE.....	27
6.1. Cleaning.....	27
6.2. Fuses Replacement.....	27
6.3. Tube Replacement.....	27
6.4. ACOM 1000 Simplified Schematic Diagram	28
6.5. Troubleshooting	30

7. SPECIFICATIONS.....	32
7.1. Parameters	32
7.2. Functions	33
7.3. Storage and Shipment.....	34

Figures

Figure 2-1 Connections.....	13
Figure 3-1 ACOM 1000 Display and Control.....	16
Figure 3-2 Information Screens and Control Functions Structure.....	17
Figure 6-1 ACOM 1500 Simplified Schematic Diagram	29

Tables

Table 2-1 ACOM 1000 Individual Data.....	11
Table 4-1 Approximate tuning preset.....	21
Table 4-2 Using TRI tuning aid	22

1. GENERAL INFORMATION

Congratulations on purchasing one of the finest HF amplifiers in the world today.

ACOM is pleased that you have chosen one of our products, and we will endeavor to provide you with the information and support you need to enjoy your purchase for many years.

We urge you to read all of the following materials before you embark on operating your new amplifier.

1.1. Introduction and Description

This manual explains:

- Installation
- Operation and
- Maintenance

of the ACOM 1000 HF + 6 meter linear amplifier.

The ACOM 1000 is a complete and self-contained linear amplifier that covers all amateur bands from 1.8 through 54MHz and provides over 1000W output power with less than 60W exciter drive. Antenna VSWR up to 3:1 is acceptable at full power. Tuning is substantially simplified by a plate-load True Resistance Indicator (TRI) and by an automatically controlled input attenuator. Operating parameters are displayed by a multi-functional OLED. Full break-in transmit/receive switching (QSK) is standard.

1.2. Owner Assistance

If assistance is needed, you should contact your local dealer first. If necessary, your dealer will contact ACOM for additional guidance.

If you still have an issue you need to discuss with one of ACOM's specialists, the contact information is as follows:

ACOM Ltd.

E-mail: support@acom-bg.com

Bulgaria | Bozhurishte 2227

Sofia-Bozhurishte Economic Zone | 6 Valeri Petrov Str.

GPS coordinates: 42.748616° | 23.209801°

1.3. Equipment Supplied

The ACOM 1000 amplifier and this User's Manual are shipped in a cardboard carton.

1.4. Features

- Easy to operate. The TRI is a powerful tuning aid which, together with the automatically controlled input attenuator, helps the operator to quickly and precisely match antennas (5-10 seconds typically). The auto-operate function (when enabled) maintains the amplifier in OPERATE mode for you, thus saving manual operations and time.
- No heavy outboard antenna tuners required for antenna VSWR up to 3:1 (and higher on some bands). Your amplifier will perform the functions of an antenna tuner, thus enabling you to change antennas faster and use them over a wider frequency range (saving tuning time).
- An amplifier that is both user-friendly, and that looks after itself. It is designed to safely withstand up to 500W reflected power, up to 100 milliseconds duration of drive spikes, drive RF "tails" after a PTT or KEY release, operator's inadvertent tuning errors etc. It would also not cease to function with a "soft" AC line and would deliver more than half power at only 75% of nominal mains voltage. It would withstand up to 10 milliseconds (down to zero) voltage drops, and up to +15% line voltage spikes, which is important particularly when used at field days, DXpeditions, and other portable events.
- OLED comment display. All amplifier status indications are explained via detailed text displayed on the dot matrix display OLED. The upper-line's strip on the OLED always reads peak forward power. LED indicators are provided for OPERATE, attenuation-on, and ON/OFF conditions.
- Easy maintenance. Signatures of the amplifier internal status are stored in a nonvolatile memory for 7 most recent auto protection trips. This information can be forwarded to your dealer for diagnostics. Using an EXCEL APPLICATION (available from ACOM or your dealer free of charge) and a PC you can decode the signatures by yourself, too.
- Less noise in the shack: the input bypassing and the vacuum antenna relays are virtually silent even in QSK CW mode due to their special mounting.
- Less QRM and improved Electro Magnetic Compatibility during tuning. Antenna matching can be achieved in less than 10 seconds at a quarter of nominal output power.
- Operates without special signals from the transceiver - "ground on TX" and 60W RF drive power are sufficient.
- Broadband input matching circuit resulting in very good load to the transceiver over the entire spectrum from 1.8MHz up to 54MHz.
- Uses a single 4CX800A (GU74B) Svetlana high-performance ceramic-metal tetrode with plate dissipation of 800W (forced air cooling, grid-driven).
- Permanent monitoring and protection of plate and grid voltages and currents, as well as of the exhaust air temperature. The Bias Optimizer decreases the heat dissipated from the tube, and there is automatic protection against overheating in accordance with the specifications of the tube producer.
- An output RF Arc protection is employed. It safeguards the amplifier, antenna, antenna selector, and tuner against severe damage in case of possible break down.
- High voltage power supply inrush current protection, which eliminates the danger of affecting sensitive devices, connected to the same mains circuit (important when used portable). The amplifier can be configured for 8 nominal line voltages: 100, 110, 120, 200, 210, 220, 230, and 240VAC, 50 or 60Hz.

- Continuous measuring and/or selectable monitoring of 12 most important parameters of the amplifier, exciter, and antennas via OLED.
- The amplifier can be shipped with 10- and 12 meters capability disabled as required by the FCC for US users. Contact your dealer about enabling those bands.

1.5. Safety Considerations, Explicit Definitions

The ACOM 1000 HF + 6 meters Linear Amplifier is a Safety Class I unit. The third grounding lead of its mains cord (which is colored yellow with two green stripes) and the ground stud on the rear panel of the amplifier (marked GND) must be connected to the station's grounding system for safe operation. The amplifier is designed to meet international safety standards and complies with CE safety and electromagnetic compatibility requirements, as well as FCC regulations.

This User's Manual contains information, precautions and indications for cautions and warnings which must be followed by the user to ensure safe operation and to keep the ACOM 1000 in safe operating condition.

The EXPLICIT DEFINITIONS described below apply to this operating manual:



DANGER

These notes call attention to a procedure which, if not correctly performed, could result in serious personal injuries and even death, fire hazard, electric shock and/or in substantial material damage.



WARNING

These notes call attention to a procedure which, if not correctly performed, could result in injuries and equipment damage, not only in the ACOM products, but also to other systems.



NOTE

These notes call attention to technical tips, as well as to important information for better understanding of ACOM products.

ORANGE TEXT as LINKS

marks all internal links in the document between Sections, Figure, Tables, etc. for your convenience.

PRECAUTIONS:



DANGER! HIGH VOLTAGE!

The amplifier works with high voltages up to 3000V, which are LETHAL!

For your safety, pull the amplifier power plug out of the mains wall outlet and WAIT AT LEAST 30 minutes EACH TIME BEFORE you remove the cover of the amplifier. Do not touch any part inside while the amplifier is open because some residual voltages may still be present.



DANGER! HIGH VOLTAGE!

Never allow anyone, ESPECIALLY CHILDREN, to push anything into holes in the case - this will cause electric shock. NEVER TOUCH AN ANTENNA during transmission - this may result in an electric shock or burn. NEVER EXPOSE the amplifier to rain, snow or any liquids. AVOID placing the amplifier in excessively dusty environments or in direct sunlight. DO NOT OBSTRUCT AIR INTAKE (rear panel) and EXHAUST (top cover) areas of the amplifier. Keep a minimum distance of 10cm (4 inches) to the intake and 50cm (20 inches) to the exhaust.



DANGER!

Do not undertake on your own repairs or changes in hardware or software of the amplifier in order not to endanger your or other's health and life and not to damage the amplifier and the equipment connected with it, not covered by warranty. The manufacturer is not liable for another's actions and responsibility shall be assumed by the doer.



WARNING

To avoid damage (not covered under warranty) read the Section **2 INSTALLATION** of this User's Manual carefully. If you have any doubts about the installation, operation or safety of the amplifier, please consult your dealer.

2. INSTALLATION

2.1. Unpacking and Initial Inspection



NOTE

Before you install your amplifier, thoroughly read this manual. First, carefully inspect the cardboard carton and its contents for physical damage. ACOM ships amplifiers in highly protected containers, but it cannot assure that mistreatment by shippers will not occur. If damage is evident, notify your dealer immediately. Delay may void the carrier's warranty.

Keep all packing materials for possible future amplifier shipment.

2.2. Line Voltage Selection



WARNING

To avoid damage, which will not be covered under your warranty, check carefully to be certain that the voltage for which the amplifier is set corresponds to your mains nominal voltage.

Normally, the amplifier is supplied set for a nominal line voltage of 240V. If your mains voltage is not 240V, you must contact your dealer for instructions. The only exception to this is if the unit has been custom ordered, in which case the voltage selection will be noted in the Table of Individual Data (see [Table 2-1 ACOM 1000 Individual Data](#)).

AMP SN:	
Tube SN:	
Voltage Selector Position	VAC

Table 2-1 ACOM 1000 Individual Data

2.3. Amplifier Location Selection



N O T E

The weight of the unit is about 22kg, which should preferably be handled by two persons.

Position the amplifier near the place where it will be used. You will need an easy access to the command knobs and indicator's area, as well as to the rear panel cabling.

No magnetic-field sensitive devices (such as microphones) should be located next to the right side of the amplifier because its power transformer is located there. It is advisable to position the amplifier to the right of your transceiver.

No temperature-sensitive devices should be located above the exhaust hot air area. This means that the amplifier should not be located under a shelf or other structure that could impede the free movement of air away from the amplifier. You may prefer to use the bottom scales of both variable capacitor knobs (TUNE and LOAD) if you install it on a shelf.

DO NOT UNDER ANY CIRCUMSTANCES OBSTRUCT the AIR INTAKE (rear panel) or EXHAUST (top cover) areas of the amplifier. Keep a minimum clearance distance of 10cm (4 inches) from the intake and 50cm (20 inches) from the exhaust openings.

2.4. Connections

Connection to your station must be accomplished in the order described below, before you apply mains voltage to the amplifier.



W A R N I N G

Note that the grounding system may have to withstand currents over 10A with insignificant voltage drop on it. Therefore, it may be necessary to improve it considerably, i.e. to become less resistive, with heavier leads and lower-resistive ground path. The grounding leads should be at least 4mm² (AWG 11 or SWG 13).

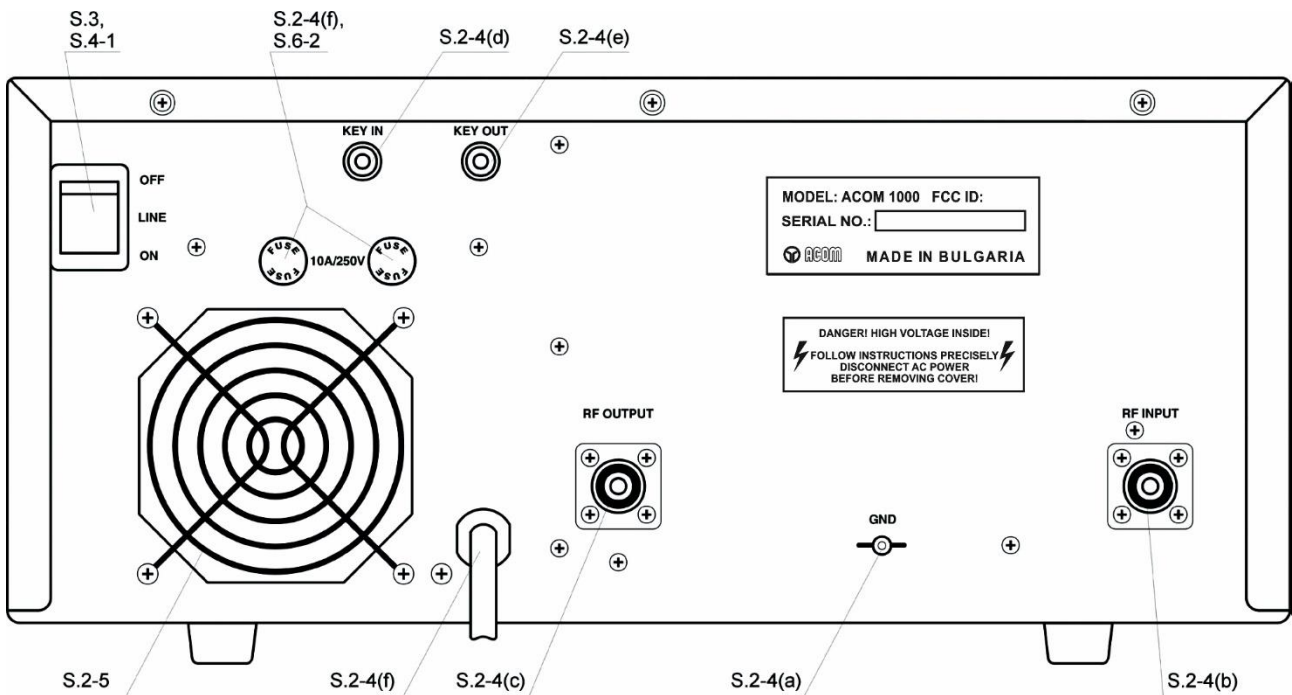


Figure 2-1 Connections

- a) First, connect the ground stud of the amplifier (on the rear panel, marked GND) to the station's grounding system (see **Figure 2-1 Connections**).
- b) Connect a coaxial cable with a PL-259 plug from the transceiver output to the amplifier rear panel RF INPUT socket.



WARNING

If this is the first time you will use a power amplifier in your station, pay attention to the coaxial cable type from the amplifier's output. It must handle the increased power safely, particularly on the 10- and 6 meters bands. We recommend that you use RG213 or better. Check the same for the antenna selector and tuner as well as the antenna itself (especially multi-band trap antennas).

- c) Connect a coaxial cable from the amplifier output (on the rear panel, marked RF OUTPUT) with a PL-259 plug to the antenna selector or tuner or to the antenna for the respective band.
- d) Run a cable terminated in a Phono (RCA) connector from the transceiver socket providing "ground on transmit" to the amplifier rear panel KEY-IN socket.

**NOTE**

Your amplifier will not work if KEY-IN is not connected properly.

Transceiver producers give different names to this output and they are for instance TX-GND, SEND, T/R-LINE, etc. Some transceivers require that "ground on transmit" is implemented via a software command, or by changing the setting of a switch on the rear panel, or interior of the transceiver. Check your transceiver's manual.

- e) The KEY-OUT socket on the rear panel provides an extra control signal from the amplifier to the transceiver. It could be used to improve the transmit/receive switching safety.

If your transceiver has a suitable input that disables transmission, we recommend that you connect it with a cable terminated in a Phono (RCA) connector to the KEY-OUT socket of the amplifier. Transceiver producers give different names to this input and they are for instance TX-INHIBIT, MUTE, LINEAR, etc. Check your transceiver's manual or consult your dealer.

If your transceiver does not have such input, don't worry - the amplifier will function normally as well, and then the KEY-OUT may remain unused.

- f) Preparation of wall outlet for the amplifier.

**WARNING**

If your amplifier is only fitted with one mains fuse, it is suitable for 0-220...240 VAC electricity supplies ONLY (these supplies are standard in the European Community). Your dealer will check that your amplifier is correctly fused before it is shipped to you. Customers should check with a qualified electrician if the amplifier is to be used outside the country in which it was purchased.

Due to the different standards in different countries, the mains plug is supplied and mounted by the dealer. He connects to the mains cord end a standard mains supply plug which meets the Safety Class I unit standard in your country. The ground lead of the amplifier's power cord is colored yellow with two green stripes and the blue and brown leads are active. When the amplifier is to be used with only one mains fuse, it is connected in series with the brown lead, which must be the active. If you have any doubts about the correct way of connecting the wires, consult your dealer.

**WARNING**

Before connecting the amplifier to your mains supply, be sure that the supply is correctly wired, and is adequate for the current drawn by the amplifier (up to 10A). Make certain that the grounding lead is connected properly in the wall outlet for the amplifier.

It is preferable that you use the wall outlet closest to the source. The installation leads should be at least 1.5mm² (AWG 15 or SWG 17). Check if the respective fuses can handle current up to 10A as well, and whether the voltage corresponds to the voltage for which the amplifier is set (see Section **2.2 Line Voltage Selection**). If you connect the amplifier to a different mains outlet, be sure that you check it, too.

Make sure the main Power Switch on the rear panel is in OFF position and insert amplifier's mains plug into the wall outlet prepared for it. The amplifier remains switched off.

2.5. Installation of External Fan

This fan (see **Figure 2-1 Connections**) is not necessary in SSB and CW modes, nor in continuous carrier modes (RTTY, SSTV etc.) with carrier down times of maximum 15 minutes and a subsequent pause of 3 minutes.

For higher duties or increased ambient temperatures the fan is recommended. The auxiliary fan (92x92mm) must be brushless type, 2...5W/24VDC. It may be installed by your dealer or by the manufacturer on request.

3. POWER ON, CONTROLS AND INDICATORS



DANGER

Do not turn the amplifier on for at least 2 hours after unpacking it in the room where it will be used. Pay particular attention when you move it from a very cold into a warm place - condensation is likely and this could result in damage to the high voltage circuits. In such a case, wait at least 4 hours. A similar effect can occur after a rapid warming of the operating room (for instance after switching on a powerful heater in a cold shack).



WARNING

To avoid damage (not covered under warranty) carefully check that the voltage for which the amplifier is set corresponds to your mains nominal voltage (see Section 2.2 *Line Voltage Selection* and Table 2-1 *ACOM 1000 Individual Data*).

After following all instructions in Section 2 *INSTALLATION*, you can turn ON the main power switch marked "LINE" on the rear panel (see Figure 2-1 *Connections*). The LED indicator above the red ON/OFF button located on the front panel must light red and "ACOM 1000" will appear on the OLED (see Figure 3-1 *ACOM 1000 Display and Control*):



Figure 3-1 ACOM 1000 Display and Control

You'll note that the upper line of the OLED always reads the peak forward power, even in STBY mode. The 1200W scale resolution is 10W per bar, dots division weight is 60W, and figures are multiple to 300W. Note also that levels below 20W may be not detected.

In this position (called OFF LINE hereafter) only the micro-controller is operational, while the amplifier itself is still turned off (the tube is not powered at all).

The control of the amplifier is accessible during OFF LINE and ON LINE states, each having several information screens and control functions (see **Figure 3-2 Information Screens and Control Functions Structure**):

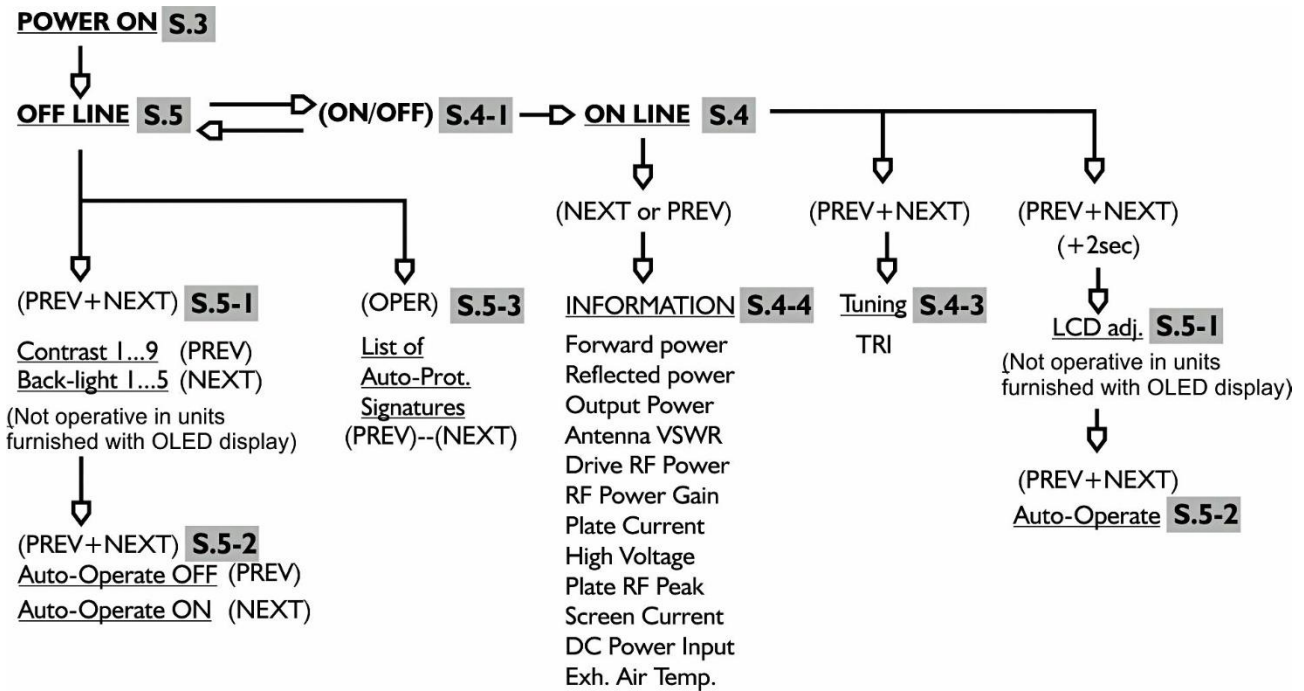


Figure 3-2 Information Screens and Control Functions Structure

The OPER button alternatively changes operate and standby modes (see Section **4.2 Changing Operate and Standby Modes**) while ON LINE. Please note that Auto-Operate might be enabled. The same button activates signature list while OFF LINE.

The PREV and NEXT buttons change information screens or select control functions (see Section **4.4 ON LINE Information Screens and Control Functions**) for both OFF LINE and ON LINE.

The ON/OFF button alternatively switches OFF LINE and ON LINE states of the amplifier.

You can proceed in one of two directions:

- a) You can use the OFF LINE information screens and control functions. They refer to the auto-protection signatures list, LCD contrast and backlighting control, as well and the Auto-Operate feature. This is described in (see Section **5 OFF LINE OPERATION**).
- b) You can turn on the amplifier and start the warm-up sequence. After 2.5 minutes you may tune and begin operating the amplifier and you can use the ON LINE information screens or control functions (see below).

4. OPERATION

Operation of the amplifier is simplified due to the TRI tuning aid, Auto-Operate function, and automatic protection system, so you'll be able to begin using the amplifier immediately after the installation. However, to make full use of amplifier's potential and to fully configure it to your local conditions, we recommend that you thoroughly read the following information.

There are 14 ON LINE information screens, which can be selected by pressing repeatedly the NEXT or PREV buttons (see *Figure 3-2 Information Screens and Control Functions Structure*). Their purpose and method of use are described in next Sections *4.1 Turning ON and OFF* through *4.5 Auto-Protection System*.

4.1. Turning ON and OFF

In order to turn on the amplifier, while the Main Power Switch (located on the rear panel) is on, press the ON/OFF button (on the front panel right-bottom corner) and hold it on for about one second. The ON/OFF LED indicator above the button will change from red to green. You'll hear the blower start first at high speed, then slow down.

After successfully passing the initial self-tests, the ON/OFF LED begins flashing green while the following inscription on the OLED remains lit:

WARMING UP: nnn s

(nnn above is the number of seconds remaining to readiness for operation)

A tube warm-up period of 2.5 minutes follows. During this time the amplifier remains in standby mode, so you can continue operating with the transceiver.

Pressing either the PREV or NEXT buttons during this period will result in changing the screen to one of the 14 available information screens described in (see Section *4.4 ON LINE Information Screens and Control Functions*) below. This action will not influence the warming-up process, so you may pass through all information screens, for instance to monitor the High Voltage value or the Exhaust Air temperature. You can also return to the old one to see how many seconds are still needed for the tube's heater.



NOTE

When you intend to have a short operating break, it is better to leave the amplifier in standby mode instead of turning it off. Tube life is shortened by repeatedly turning on and off the tube heater supply. However, if you unintentionally power-off the amplifier, it is best to switch it on again immediately. When the pause is short (up to one minute) and the cathode is still warm, the warm-up period is shortened significantly, which reduces the waiting time and prolongs the tube's expected life.

After the indicated period expires, the ON/OFF button stops flashing and lights green constantly. If the auto-operate function is selected to ON (see Section [5.2 Auto-Operate enabling and disabling](#)), the green OPER LED lights too. The last used (one out of 14) information screen appears on the OLED, for instance: "WARMING UP: Ready".

The bar graph on the upper line always indicates the peak forward power (as well as during OFF LINE).

In order to turn the amplifier OFF press shortly the ON/OFF button. If you are not going to use the amplifier for a long time, it is best to turn it off using the Main Power switch (on the rear panel) as well.

4.2. Changing Operate and Standby Modes

With the Auto-Operate function disabled (see Section [5.2 Auto-Operate enabling and disabling](#)), the OPER button changes two modes alternatively.

When Auto-Operate is enabled, the amplifier will be maintained to operate mode by default, unless you use the OPER button manually to go to standby (then Auto-Operate is suppressed temporarily). Pressing OPER again would restore the Auto-Operate feature.

4.3. Tuning

Tuning is possible only in operate mode, so press the OPER button in order to illuminate its LED (unless Auto-Operate is active).

a) Preliminary information

Tuning the amplifier involves a procedure of matching the impedance of the currently used antenna to the tube's optimum load resistance. This will ensure maximum plate efficiency and optimum RF gain at nominal output power, with minimal distortion and spurious output.

Note that REFLECTED POWER readings depend on the antenna and transmission line impedances only, and not on amplifier tuning. If the load impedance is not a nominally resistive 50-Ohms, the REFLECTED POWER indicator will always show a reading, no matter what the tuning settings. Proper tuning is always necessary, however, and will allow you to operate at a high-power level, without distortion or any danger to the amplifier. Note also that the real OUTPUT POWER presented to the load is equal to the difference between the FORWARD and REFLECTED power readings.

For instance, with a 2.4:1 VSWR, readings of 1200W and 200 W FORWARD POWER and REFLECTED POWER respectively, the real OUTPUT POWER is 1000W. At very high VSWR levels, such as when no antenna is connected or a badly mismatched antenna is used, the FORWARD and REFLECTED readings will be almost equal, while the real OUTPUT POWER (the difference between them) will be nearly zero.

The amplifier can operate safely as long as the REFLECTED POWER is LESS THAN 300W. Also, impedance matching is assured for loads presenting a VSWR of up to 3:1. Although for some loads and bands, matching is possible at even higher VSWR levels, the drive power must be reduced to prevent the REFLECTED POWER from exceeding 300W. Failure to comply with these guidelines will cause the ****REFLECTED POWER**** soft-fault protection to trip.

For example, if the antenna VSWR were 4.5:1, the maximum attainable forward power would be 750W, 300W of reflected power and real output to the antenna of only 450W. In the event your antenna cannot be adjusted to produce a lower VSWR, an external antenna tuner may be deployed.



DANGER

Using a feeder of coaxial cable at VSWR > 3:1 on HF, and particularly on the 10- and 6 meters bands, is not recommended. At such high values of VSWR, the high voltages, high currents, and heat associated with line losses, risk to permanently damage your coaxial cable or antenna switch.

Update tuning periodically, even if you have not changed band or antenna, in particular when a significant change in the environment occurs (snow, ice, newly appeared or removed massive objects, alien wires nearby etc.) that would cause significant changes in the antenna impedance.



NOTE

If you use more than one antenna per band, it is necessary that you select the proper antenna BEFORE the next step. Retune after selecting a different antenna for the same band, since both impedances may differ substantially (unless their VSWR is excellent, i.e. below 1.2:1 for both).



WARNING

Do not switch the BAND switch knob while transmitting with the amplifier! Hot switching (while transmitting) will eventually destroy the band switch, not covered by the warranty!



WARNING

When tuning, do not apply continuous drive longer than 3 minutes and after that pause 1-2 minutes for tube cooling.

We recommend that you tune-up at the center frequencies of the preferred frequency band. First select the band switch (never with RF applied!). Then use (see [Table 4-1 Approximate tuning preset](#)) in order to achieve an approximate preset for both TUNE capacitor and LOAD capacitor knobs:

Band, MHz	Tune Knob Dial	Load Knob Dial
1.800 – 2.000	88 - 67	86 - 66
3.500 – 4.000	53 - 35	83 - 60
7.000 - 7.300	62 - 55	82 - 74
10.100 - 10.150	21 - 20	32 - 31
14.000 - 14.350	52 - 44	33 - 31
18.068 - 18.168	85 - 82	84 - 42
21.000 - 21.450	35 - 30	58 - 55
24.890 – 24.990	85 - 84	73 - 72
28.000 - 29.700	47 - 30	56 - 48
50.000 – 54.000	47 - 20	23 - 18

Table 4-1 Approximate tuning preset

b) Selecting the plate-load True Resistance Indicator (TRI) tuning aid

You may select TRI scale in three different ways:

- By pressing the PREV+NEXT buttons simultaneously for a moment. This will insert a 6dB attenuator between the driver and the amplifier's input (the ATT LED will light), so you'll not need to reduce the drive power during tuning. Press PREV+NEXT buttons momentarily again to switch the attenuator off the input and to return to the old screen. If you use any of PREV or NEXT buttons only, the attenuator would be switched off too, but the information screen would change to respectively previous or next;
- By pressing repeatedly either PREV or NEXT button (whichever is nearest), until you reach the TRI scale. This will not insert the attenuator, so you'll have to use less than 20W drive (unless the amplifier is nearly correctly tuned), otherwise the next step would be executed automatically;
- By simply applying a normal working (50-60W) drive power, while the amplifier is not yet tuned. This will automatically invoke the TRI tuning aid and will insert the input attenuator (the ATT LED will light) after one second. The attenuator will be switched off, and the old screen will be returned automatically, after you release the PTT shortly. If you have achieved meanwhile a nearly good tuning, the attenuator would not be inserted again. If the old screen was the same (TRI, selected manually earlier), you'll then be able to precisely tune the amplifier also at nominal power, without changing drive at all. Use this hint to shorten the tuning process duration.

c) Tuning Procedure

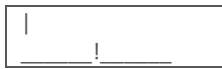
While a continuous (CW) signal at the desired frequency is still applied:

- Look at the upper scale (forward power). Obtain maximum power using the upper (TUNE) knob;
- Look at the lower (Load Cap) scale and turn the lower (LOAD) knob in order to center the triangle marker at the "!" mark;
- Release the PTT shortly in order to disable the attenuator, then repeat both steps at nominal power. Always finish by peaking with the TUNE knob.



NOTE

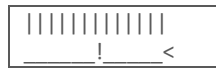
Appearance of an arrow on either left or right TRI scale edges means that the LOAD knob is too far from the proper position. To correct for this, turn the LOAD knob to the prompted direction until the triangle marker appears inside the scale field.



No marker:
Use TUNE knob for max. P to get any marker.



Marker is a far left:
Turn LOAD knob pointer to right until marker inside.



Marker is a far right:
Turn LOAD knob pointer to left until marker inside.



Marker inside:
Turn LOAD knob slightly left to center it.



LOAD is tuned:
Turn TUNE knob to peak Forward Power & finish.

Table 4-2 Using TRI tuning aid

Please note also, that the TRI mark will not appear until at least 5W drive is applied, and at least 20W forward power is achieved.

If, for some reason, matching cannot be accomplished successfully, check BAND switch and antenna selection. Then check the antenna VSWR at the same drive frequency.

d) Tuning hints

While turning knobs, you'll note that both tunings would be virtually independent. This is a benefit of the TRI. The plate-load resistance increases to the right and decreases to the left of the TRI center.

The center of the scale corresponds to the proper LOAD capacitor tuning, which presents an optimum load resistance to the tube.

If you tune to the right, you'll obtain more gain, but less undistorted output power will be attainable. You may prefer to use this hint when your drive power is insufficient or when you need less output but better efficiency, for instance at heavy duty modes (RTTY, SSTV, etc.) where less heat is wanted.

Tuning to the left of the center would lead to the opposite: less gain and more power attainable. Of course, this requires more drive power, more plate current, and more plate heat, which shortens tube's-expected life, as its cathode would be faster exhausted.

You might use the off-center tuning hint also to compensate for mains voltage variations in order to maintain tube efficiency: tune to the right when mains is higher, or tune to the left if it's lower than the nominal voltage. Please see (see section **2.2 Line Voltage Selection**) for more than 10% difference from the nominal.

4.4. ON LINE Information Screens and Control Functions

- a) Besides the Warming Up and TRI (see Sections **4.1 Turning ON and OFF**, **4.2 Changing Operate and Standby Modes**, **4.3 Tuning**), you have 12 more Information screens available. They are as follows:
- Forward Power
 - Reflected Power
 - Output Power (difference between forward and reflected)
 - Antenna VSWR
 - Drive RF Power
 - RF Power Gain
 - Plate Current
 - High Voltage
 - Plate RF Peak
 - Screen Current
 - DC Power Input (product of plate current and high voltage)
 - Exhaust Air Temperature (Celsius and Fahrenheit scales).

You can use them to monitor the technical state of the amplifier and the associated parameters in digital form.

Selection is made by the PREV and NEXT buttons. You may change them in a closed loop, while the amplifier is used and controlled in operate and standby modes, changes transmit and receive, without any influence by the measurement process.

- b) You can control Auto-Operate feature selection also while ON LINE. The method is the same as it is described for OFF LINE (see Sections **5.1 Contrast and Backlighting control** and **5.2 Auto-Operate enabling and disabling**).

4.5. Auto-Protection System

When any abnormal condition is detected, the amplifier will evaluate the risk and may use three different degrees of protection, depending on the nature of the problem. Each event is accompanied by a text telling you the reason.

- a) The first degree of protection is issuing a warning message only, without any influence on the transmitting process. This might be for instance "Reduce Drive", "Plate Current", etc. You could continue to transmit under such conditions but you are close to a trip threshold.
- b) The second degree of protection is a trip in standby mode (Soft Fault). You'll get an appropriate message, for instance ****GRID CURRENT****. All Soft-Fault messages are marked with two asterisks on both screen edges. The message remains on the display until you press any button (or auto-operate function returns to operate mode automatically). The Soft Faults are of such kind where you can correct exploitation conditions operatively (using less drive, improving VSWR, etc).
- c) The third degree of protection is a trip in off mode (Auto-Protection).

You'll get the corresponding signature (see Section [6.5 Troubleshooting](#)). If you cannot guess what is the reason, you may try to turn the amplifier on again in order to check whether it's not an accidental condition. If the problem persists, you'll need to contact your dealer – (see Section [1.2 Owner Assistance](#))



N O T E

The 6dB input attenuator is automatically inserted about 1 second after a bad tuning is detected at drive levels above 20W. It is switched off at every PTT release (unless inserted manually).

5. OFF LINE OPERATION

There is a control function and 14 information screens available in this state of the amplifier. You can enable/disable the Auto-Operate feature. You can also list the auto - protection signatures. The tube is not powered at all (only the micro-controller is active) during these operations.

5.1. Contrast and Backlighting control



NOTE

The Contrast and Backlighting can be adjusted only if the display is LCD type. Not operative in units furnished with OLED display.

Press the PREV+NEXT buttons simultaneously and hold them for two seconds. The back-lighting of the LCD will light and the "Contrast=... B.Light=..." screen will appear on the bottom line. Control the contrast of the LCD using the PREV button in steps from 1 to 9. Control the backlighting of the LCD using the NEXT button in steps from 1 to 5.

Press shortly the PREV+NEXT buttons in order to reach the auto-operate function (see Section [5.2 Auto-Operate enabling and disabling](#)), or leave buttons unused for 20 seconds if you want to accept these selections only (in order not to change Auto-Operate inadvertently).

5.2. Auto-Operate enabling and disabling

When enabled, this function will keep the amplifier in OPER MODE automatically. The OPER button will be still functional, so you'll be able to change to standby and back to operate manually at any time. After returning to operate (by pressing OPER button again), the auto-operate feature will be restored. (see Section [4.2 Changing Operate and Standby Modes](#)).

In order to enable or disable the auto-operate feature, after a contrast and backlight selection (see Section [5.1 Contrast and Backlighting control](#)), continue with pressing shortly the PREV+NEXT buttons. The "Auto Operate = ..." screen will appear on the bottom line. Use the PREV button to select OFF or NEXT to select ON. Press shortly the PREV+NEXT buttons again to confirm and return.



NOTE

All selections you make are stored in the nonvolatile memory of the amplifier and are used at the next power-on. If no selection is made for 20 seconds, the current selection is accepted and the function is left automatically.

5.3. Reading Auto-protection Signatures

On every Hard Fault protection trip of the amplifier, signature information is stored in its nonvolatile memory. The 7 most recent auto-protection trip signatures related to the amplifier internal status are stored there, which you can copy and forward to your dealer for diagnostics.

In order to read them press the OPER button while OFF LINE. You'll see the beginning of the signatures list. Use NEXT and PREV buttons to navigate through 7 pairs of screens. For each auto-protection trip there is a pair of information screens, beginning with nA... and nB... where:

- "n" is the number of the event (nr.1 is the latest, nr.7 is the oldest one);
- A and B mark the first and the second part of an information screen pair.

Two lines, three groups by six symbols (36 symbols in total) are to be copied concerning every one of the 7 memorized events from 1A-1B through 7A-7B.

To decode the signatures see Section **6.5 Troubleshooting**.



N O T E

After every signature listing the tube warm-up time is reset to 150 seconds regardless of the time being in OFF LINE state.

6. MAINTENANCE

6.1. Cleaning



WARNING

Do not use solvents for cleaning - they may be dangerous both for you and for the amplifier paint or plastics.

Do not open the amplifier. Cleaning of the amplifier outer surface can be done with a piece of soft cotton cloth lightly moistened with clean water.

6.2. Fuses Replacement

If it is necessary to replace the mains fuses, use only standard ones.

The two Primary Mains Fuses of the amplifier are located on the rear panel (see *Figure 2-1 Connections*). They are 10A/250V Quick blow, 1-1/4 x 1/4 inch Cartridge Fuses, Size "0" Ceramic.

Besides the primary fuses, on the MAINS PCB (inside the amplifier) there are three more small glass fuses (5x20mm, 100mA and 2 x 2A slow-blow type) which are not replaced by the user. Should one of these fuses be blown, it may be indicative of other failures. This is a complex and potentially dangerous operation. For this reason, we recommend this work be carried out by a trained service technician.

6.3. Tube Replacement

A single 4CX800A (GU74B) high-performance ceramic-metal tetrode manufactured by Svetlana is employed in the amplifier. Replacement is a complex and potentially dangerous operation. For this reason, we recommend this work be carried out by a trained service technician.

6.4. ACOM 1000 Simplified Schematic Diagram

Please, see [Figure 6-1 ACOM 1500 Simplified Schematic Diagram](#).

The 4CX800A (GU74B) Svetlana high performance ceramic-metal tetrode (V1) with plate dissipation of 800W is grid-driven. The input signal from the RF INPUT jack is passed through a broadband input matching circuit, which comprises some components in the INPUT PCB and Rsw. This circuit tunes out the input capacitance of the tube. The swamping resistor Rsw is a termination load for this circuit and can dissipate up to 100W of RF drive power.

Cathode resistor Rc creates DC and RF negative feedback, thus stabilizing the gain and equalizing the frequency response. The varistor VSsg in the screen grid circuit protects the tube screen grid, and voltage regulator in the events of a flashover.

The combination Lp1-Rp1 in the plate circuit is a VHF/UHF parasitic suppressor. DC plate voltage is fed through chokes RFC1-RFC2 and the capacitor Cb3 blocks it from the output. The output circuit comprises LP1, LP2, LL, CP1-CP3, and CL1-CL3 which form a classic Pi-L network and suppress the harmonic frequency emissions. This tank is switched and tuned over the bands by S1A-S1C and the air variable capacitors CP1, 2 and CL1, 2. The output signal is fed through an additional VHF low-pass filter for frequencies above 55MHz (Lf1, Lf2 and Cf). Then it is passed through the vacuum antenna relay K1, wattmeter current transformer TA1, and a high-pass filter RFC4-Ca for frequencies below 100kHz, to the antenna output. The chokes RFC3 and RFC4 keep track of the antenna relay contact conditions and together with Ca prevent the plate supply from reaching the antenna. RFC4 shunts it to ground if the DC blocking capacitor Cb3 fails. The resistor Ra protects the amplifier from charging Electro-static energy fed by the antenna.

The PLATE CAPACITIVE DIVIDER and RF WATTMETER are the main sources of information for the control circuit of the amplifier during the antenna impedance matching process. The control circuit is based on the 80C552 micro-controller from Philips.

All voltages are delivered from the MAINS&LOW VOLTAGE and HIGH VOLTAGE SUPPLY PCBs. The control grid, screen grid and plate currents, plate cooling airflow temperature, reflected power etc. are permanently monitored. Many software-derived protections are based on this information.



NOTE

Detailed electrical schematic diagrams are available from ACOM or from your dealer on request.

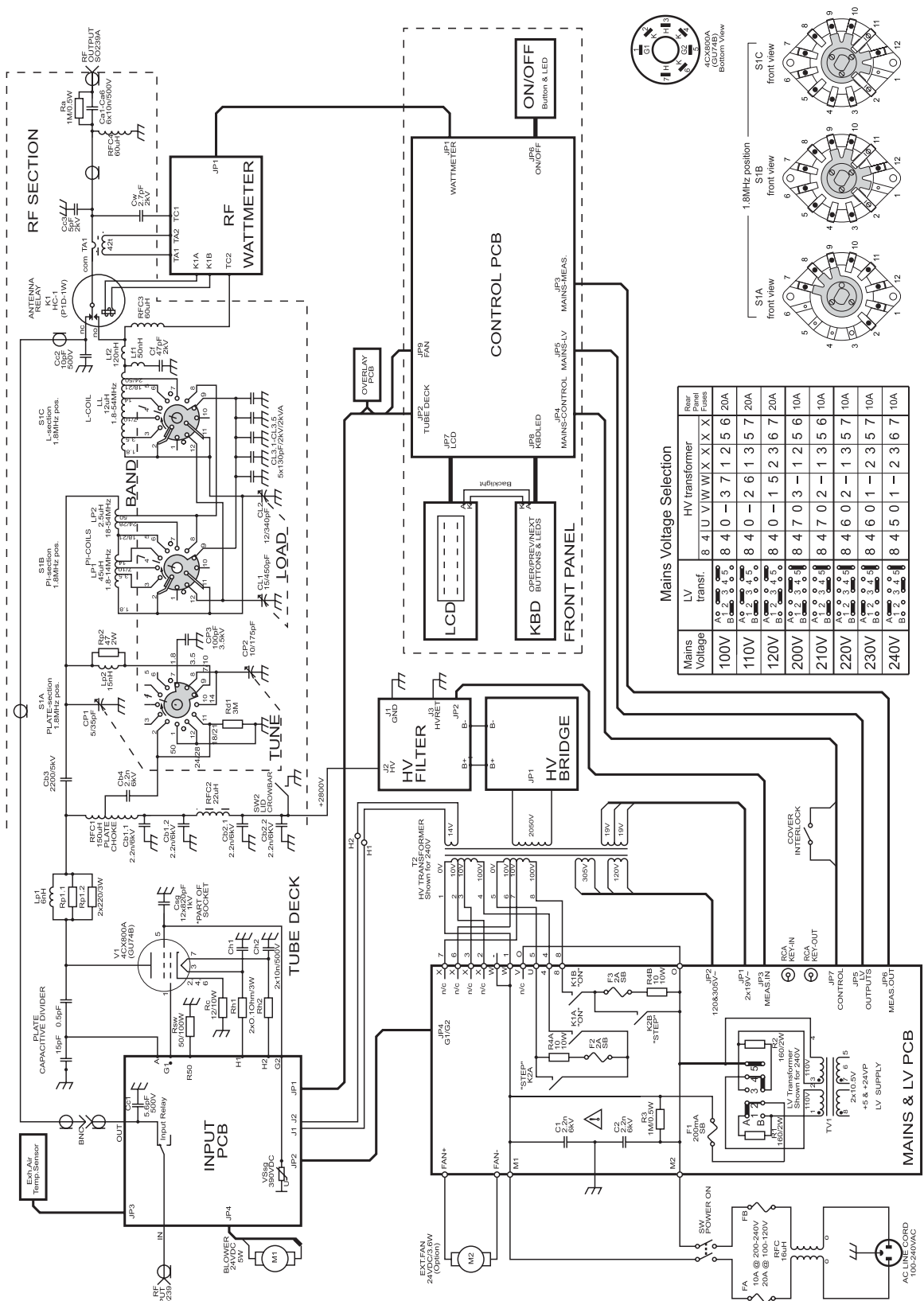


Figure 6-1 ACOM 1500 Simplified Schematic Diagram

6.5. Troubleshooting

Please, see Section **5.3 Reading Auto-protection Signatures** for the method of reading the auto-protection signatures. You can decode them using the information below.

The signatures are structured in two lines, three groups by six symbols for every one event of auto-protection. The last event is numbered as 1A-1B pair of lines, and the oldest one is 7A-7B.

The meaning of the first group is as follows:

- a) nA - the number of the trip;
- b) Next three symbols mean the following:
 - PN0 Tests made during Power-On procedure, before HV is ON;
 - PN2 Tests made during Power-On procedure, after HV is ON and one second after step-start relay is closed;
 - SB0 Tests made in Stand-By, during the warm-up period or while entering Stand By (from Operate);
 - SB2 Tests made during Stand-By, after the warm-up period;
 - PR0 Tests made while entering Operate;
 - PR2 Tests made during Operate;
 - TR0 Antenna relay tests made while changing from Tx to Rx (during Operate);
 - TR2 Antenna relay tests made while changing from Rx to Tx (during Operate);
 - TR4 Antenna relay tests made during Tx (Operate mode);
 - TR6 Antenna relay tests made during Rx (Operate mode).
- c) The last symbol of the first group designates the kind of the input parameter, which caused the protection circuit to trip. The abbreviations in brackets below are the signal names/designations according to the CONTROL PCB electrical schematic diagram and signal type:
 - 1 Peak forward power (pfwd, analogue)
 - 2 Reflected power (rfl, analogue)
 - 3 Input (drive) power (inp, analogue)
 - 4 Peak anode alternate voltage (paav, analogue)
 - 5 Screen grid current (g2c, analogue)
 - 6 Plate current (ipm, analogue)
 - 7 High voltage (hvm, analogue)
 - 8 Exhaust air temperature (temp, analogue)
 - 9 Drive power exists (*GRIDRF, logic)

- A Antenna power exists (*PANT, logic)
- B Output relay closed (ORC, logic)
- C Arc fault (ARCF, logic)
- D Control grid current too high (G1C, logic)
- E +24VDC power supply error (PSE, logic)
- F Low airflow (LAIR, logic).

For instance, "1ATR4B" in the first group would mean that the last auto-protection (1A) tripped by the antenna relay tests made during Tx - Operate mode (TR4), and the "output relay closed – ORC" signal was failing (B).

The next five groups of symbols carry information about the analogue and logic values as measured by the micro-controller at the moment of auto-protection trip.



NOTE

Additional information is available from ACOM or from your dealer on how to interpret these values. Using an Excel application available from ACOM or your dealer free of charge, and a PC, you can decode these signatures.

In case it is necessary to ship the amplifier, Please, see Section **7.3 Storage and Shipment**.

7. SPECIFICATIONS

7.1. Parameters

- a) Frequency Coverage: All amateur bands 1.8-54MHz, extensions and/or changes on request;
- b) Power Output: 1000W PEP or continuous carrier, no mode limit;

In continuous carrier modes (RTTY etc.) for transmissions longer than 15 minutes (up to several hours depending on ambient temperature), the external auxiliary fan must be mounted.

- c) Intermodulation Distortion: Better than 35dB below rated output;
- d) Hum and noise: Better than 40dB below rated output;
- e) Harmonic Output Suppression:
 - 1.8-29.7MHz - better than 50dB below rated output;
 - 50-54MHz - better than 66dB below rated output;
- f) Input and Output Impedances:
 - Nominal value: 50 Ohm unbalanced, UHF (SO239) type connectors;
 - Input circuit: broadband, VSWR less than 1.3:1, 1.8-54MHz continuously (no tunings, no switching);
 - Bypass path VSWR less than 1.1:1, 1.8-54MHz continuously;
 - Output (antenna) impedance matching capability: VSWR up to 3:1 or higher;
- g) RF Gain: 12.5dB typically, frequency response less than 1dB (50 to 60W drive power for rated output);
- h) Primary Power: 100-264V (100, 110,120, 200, 210, 220, 230 & 240V nominal taps, +10% - 15% tolerance.), 50-60Hz, single phase, 2200VA consumption at rated output;
- i) Complies with CE safety and electromagnetic compatibility requirements as well as FCC-regulations (10 & 12m bands lock provided);
- j) Size & Weight (operating): W422mm x D355mm x H195mm, 22kg (16.6 x 14 x 7.7 inches, 48.5 lbs.);
- k) Operating environments:
 - Temperature range: 0...+50°C;
 - Humidity: up to 95% @ +35°C;
 - Height: up to 3000m (10 000ft) above sea level without output deterioration.

7.2. Functions

- a) Antenna Impedance Matching Process: plate-load True Resistance Indicator (TRI) aided;
- b) T/R System: QSK operation with built-in, vacuum RF antenna relay (special quiet installation)'
- c) Protections:
 - Cover interlock for operator's safety;
 - Inrush power-on current control;
 - High voltage, control grid, screen grid, and plate currents;
 - Exhaust air temperature;
 - T/R sequencing;
 - Antenna relay contacts, including RF power induced in antenna from another nearby transmitter;
 - Antenna matching quality;
 - Reflected power;
 - RF arcs, including in antenna system;
 - Overdrive;
- d) Signatures of the amplifier internal status are stored in a nonvolatile memory for the seven most recent auto protection trips;
- e) Dot matrix backlit alphanumeric OLED with bar graph for forward peak power and text messages to the operator;
- f) Measurement and constantly monitoring of 12 most important parameters of the amplifier via OLED;
- g) Tube: a single 4CX800A (GU74B) high-performance ceramic-metal tetrode of Svetlana with plate dissipation of 800W, grid driven, forced air-cooling.

7.3. Storage and Shipment



W A R N I N G

Should you need to transport the amplifier, use the original packing as described below.

First, switch off the amplifier. Pull the mains plug out of the outlet. Disconnect all cables from the rear panel of the amplifier (remove the ground connection the last). Finally, pack the amplifier in its original carton.

- a) Storage environments: the amplifier can be kept packed in dry and ventilated unheated premises without chemically active substances (acids, alkalis etc.) in the following climatic environment:
 - Temperature range: -40 to +70°C;
 - Humidity: up to 75% @ +35°C;
- b) Shipping Size and Weight: W560mm x D560mm x H300mm, 25kg (22 x 22 x 11.81 inches, 55.12lbs);
- c) Shipping environments: all types of transportation, including aircraft baggage section up to 12 000 meters (40 000 ft.) above sea level.

This manual is for electronic distribution mainly.
If you have it on paper and you no longer need it, please, recycle it!

The latest versions of our User's Manuals are available at
www.acom-bg.com

Dealer/Partner's address:

ACOM

HOW TO FIND US



📍 ACOM Ltd.
Bulgaria | Bozhurishte 2227
Sofia-Bozhurishte Economic Zone | 6 Valeri Petrov Str.
GPS coordinates: 42.748616° | 23.209801°

📧 support@acom-bg.com



www.acom-bg.com

ACOM and the ACOM logo are registered trademarks of ACOM Ltd. in many countries, including the EU and United States. | The used images are illustrative only. Subject to change without notice. | Printed in Bulgaria. All rights reserved. | Design and content by ACOM Ltd. | August 2020.